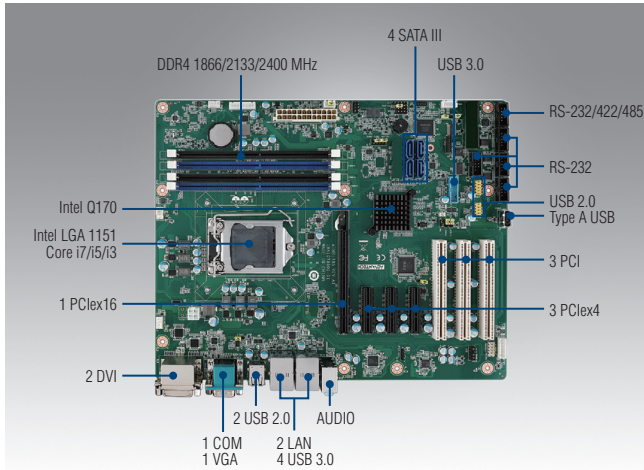


AIMB-785

LGA1151 6th/7th Generation Intel® Core™ i7/i5/i3/Pentium®/Celeron® ATX with Triple Display, DDR4, SATA III



Features

- Supports Intel® 6th/7th generation Core™ i7/i5/i3/Pentium®/Celeron® processor with Q170 chipset
- Four DIMM sockets support up to 64 GB DDR4 1866/2133/2400
- Supports triple display VGA/2 DVI-D and dual GbE LAN
- Supports SATA RAID 0, 1, 5, 10, USB 3.0
- Supports Intel vPro, AMT 11.0 & TPM technologies

Note 1: dTPM 2.0 module is required to enable Intel vPro and TPM technologies.

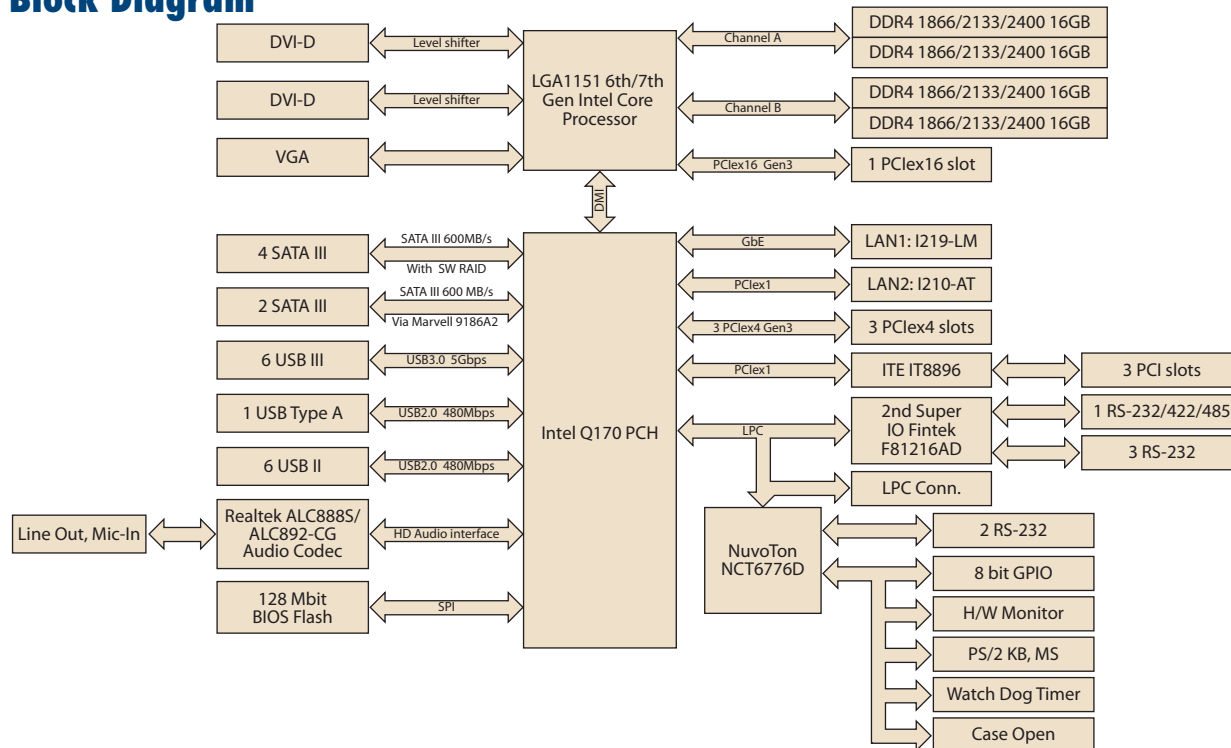
Note 2: Only Intel 6th generation processor can support Windows 7.

Quiet Specifications

CE FCC

Processor System	CPU	i7-7700	i7-7700T	i7-6700	i7-6700TE	i5-7500	i5-7500T	i5-6500	i5-6500TE	i3-7101E	i3-7101TE	i3-6100	i3-6100TE	G4400	G4400TE	G3900	G3900TE		
	Speed	3.6GHz	2.9GHz	3.4GHz	2.4GHz	3.4GHz	2.7GHz	3.2GHz	2.3GHz	3.9GHz	3.4GHz	3.7GHz	2.7GHz	3.3GHz	2.9GHz	2.8GHz	2.6GHz		
	L3 Cache	8MB	8MB	8MB	8MB	6MB	6MB	6MB	6MB	3MB	3MB	4MB	4MB	3MB	3MB	2MB	2MB		
	Cores	4	4	4	4	4	4	4	4	2	2	2	2	2	2	2	2		
	TDP	65 W	35 W	65 W	35 W	65 W	35 W	65 W	35 W	54 W	35 W	65 W	35 W	65 W	35 W	65 W	35 W		
	Socket	LGA1151																	
	Chipset	Q170																	
	BIOS	AMI 128 Mbit SPI																	
	Expansion Slot	PCI	32-bit/33 MHz, 3 slots																
		PCIe x4 (Gen3)	4 GB/s per direction, 3 slots																
PCIe x16 (Gen3)		16 GB/s per direction, 1 slot																	
Memory	Technology	Dual Channel Non-ECC UDIMM DDR4 1866/2133/2400																	
	Max. Capacity	64 GB																	
	Socket	4 (288-pin DIMM)																	
Graphics	Controller	Intel HD Graphics																	
	VRAM	1 GB maximum shared memory with 2 GB and above system memory installed																	
Ethernet	Interface	10/100/1000 Mbps																	
	Controller	GbE LAN1: Intel I219LM, GbE LAN2: Intel I210-AT																	
	Connector	2 (RJ-45)																	
SATA	Max Data Transfer Rate	600 MB/s																	
	Channel	4																	
	RAID	0,1,5,10																	
Rear I/O	VGA	1 (Up to 1920x1200@60Hz)																	
	DVI-D	2 (Up to 1920x1200@60Hz)																	
	Ethernet	2																	
	USB	6 (USB3.0 x 4, USB2.0 x 2)																	
	Audio	2 (Mic-in, Line-out)																	
	Serial	1 (RS-232)																	
Internal Connectors	USB	7 (USB 3.0 with wafer box x 2, USB 2.0 with wafer box x 4, USB 2.0 with type A connector x 1)																	
	Serial	5 (4 x RS-232, 1 x RS-232/422/485)																	
	SATA	4																	
	LPC	1 (Optional dTPM 2.0 module available)																	
	GPIO	8-bit																	
	PS/2 KB/Mouse	1 (Optional PS/2 KB/Mouse Cable is required)																	
Watchdog Timer	Output	System reset																	
	Interval	Programmable 1 ~ 255 sec																	
Power Requirement	Power On	Intel Core i7-6700 3.4GHz; DDR4 2133 8GB x 4																	
	Voltage	+12V			+5V			+3.3V			+5Vsb			-12V			-5V		
	Current	6.78A			1.38A			1.35A			0.12A			0.05A			0.05A		
Environment	Operating	0 ~ 60 °C (32 ~ 140 °F), depends on CPU speed and system thermal solution											Non-Operating						
	Temperature												-40 ~ 85 °C (-40 ~ 185 °F)						
Physical Characteristics	Dimensions (L x H)	304.8 x 244 mm (12" x 9.6")																	

Block Diagram



Ordering Information

Part Number	Chipset	Memory	Display	USB 3.0	USB 2.0	COM	GbE LAN	AMT	SATA III	SW RAID
AIMB-785G2-00A4	Q170	Non-ECC DDR4 1866/2133/2400 up to 64GB	VGA + dual DVI	6	7	6	2	Yes	4	Yes
AIMB-785G2-00A4U (Made in Taiwan)	Q170	Non-ECC DDR4 1866/2133/2400 up to 64GB	VGA + dual DVI	6	7	6	2	Yes	4	Yes

Packing List

Part Number	Description	Quantity
1700003194	SATA HDD cable	x 2
1700022749-11/ 1700022749-12/ 1700022749-13/	SATA power cable	x 2
19Z0000884T000	I/O port bracket	x 1
2001078513	Startup manual	x 1

I/O View



AIMB-785G2-00A4
AIMB-785G2-00A4U

Optional Accessories

Part Number	Description
1700002204	2-port USB 2.0 cable w/ BKT(27 cm)
1700028292-01	2-port USB 3.0 cable w/ BKT(30 cm)
1960052651N021	CPU cooler for 2U, 4U and wallmount chassis
1960049408N001	CPU heatsink for 1U chassis (for CPU TDP=35W only)
1960069666N101	IO bracket for 1U chassis ACP-1010MB only
1701092300	Dual COM port cable(28.5 cm)
1700019268-11	PS/2 KB/Mouse cable
1960063434N000	IO bracket for PS/2 KB/Mouse cable
PCA-TPM-00B1E	dTPM 2.0 LPC module to enable TPM and vPro technologies
98R1RTSWF00	Remote switch connector with full-height bracket
98R1RTSWH00	Remote switch connector with half-height bracket

Note: Purchasing AIMB-785's proprietary CPU cooler from Advantech is a must. Other brands' CPU coolers are NOT compatible with AIMB-785.

Riser Card

Part Number	Description
AIMB-RF10F-01A1E	1U riser card with 1 PCIe16 expansion
AIMB-R4104-01A1E	1U riser card with 1 PCIe4 expansion
AIMB-R430P-03A2E	2U riser card with 3 PCI expansion
AIMB-R431F-21A1E	2U riser card with 1 PCIe16 & 1 PCIe1 expansion
AIMB-R43PF-21A1E	2U riser card with 1 PCIe16 & 2 PCI expansion
AIMB-R4301-03A2E	2U riser card with 1 PCIe1 expansion
ASMB-RM2F4-11A1	2U riser card with 1 PCIe16 & 1 PCIe4 expansion