

DSS-655

55" Ubiquitous Touch Computer with Multi-Touch Screen



Features

- 55" LCD support full HD 1080P
- Built-in Intel Core i5 2.4 GHz mobile processor
- Wide view angle 89/89/89/89°
- Integrated with multi-touch screen (support multiple fingers interactive on Win7)
- Built-in tempered glass to prevent the damage from abnormal behavior
- Support landscape & portrait position
- High flexibility options support UTC peripheral series

Introduction

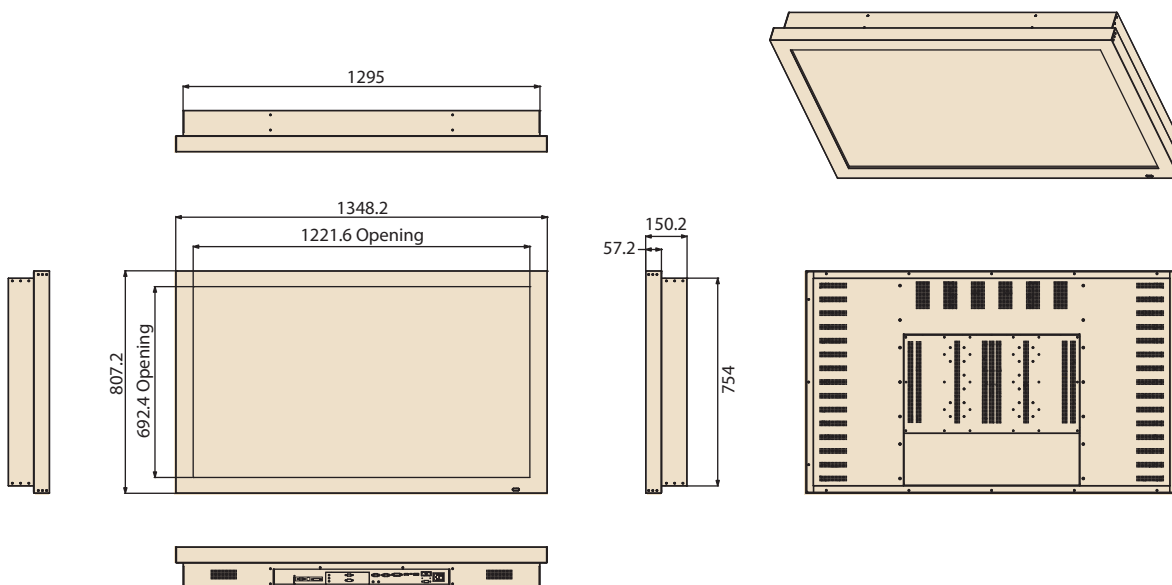
Advantech DSS series is an extraordinary "all-in-one" system designed for interactive public signage/kiosk application. It is a new communication platform to deliver the public or commercial information. It can be used for digital signage and digital out-of-home advertising as well as interactive self-service terminal. In terms of all-in-one system, Advantech DSS-600 series has embedded the industrial PC as the signage computing engine. Furthermore, Advantech It can further integrate wireless module (LAN or WAN), or customized IPC system to deliver dynamic information/ messages to the users.

Specifications

| | | |
|--------------------|---|---|
| LCD Specification | Screen size | DSS-655 55" (16:9) |
| | Active display area (mm) | 1209.6 (H) x 680.4 (V) |
| | Pixel pitch (mm) | 0.63 mm |
| | Max. resolution | 1920 x 1080 FHD |
| | Contrast ratio | 5000:1 (typ.) |
| | Display color | 1.073 Billion |
| | Brightness (CD/m ²) | 450 (typ.) |
| | Viewing angles (CR≥10) | -89-89 (H); -89-89 (V) |
| | Synchronization range Horizontal/ Vertical (60Hz) | 45.76-50.96 KHz/ 58-62 Hz |
| | Protection | Tempered glass built-in (4mm, UL-1950) |
| Touch screen | Type | Optical Multi-Touch (multi-touch function should be under Win7) |
| | Resolution | 32768 x 32768 |
| | Light transmission | >92% |
| | OS support | Win XPP/XPE/7 (Linux, MAC driver ready) |
| | Response speed | 16 ms (two-point touch) |
| Computing System | Touch accuracy | +/-2mm over 90% of the touch sensitive area |
| | CPU | Intel® Core™ i5 Mobile Processor |
| | Chipset | Intel QM57 |
| | L2 cache | 3M |
| | BIOS | AMI EFI 64 Mbit SPI |
| | Front side bus | 800 MHz |
| | Expansion slot | Mini-PCIe x 1 PCIe x16 x1 |
| Memory | Technology | DDR3 800/1066 MHz SDRAM |
| | Max. capacity | 8 GB |
| | Socket | 2x 204 PIN DDR3 Socket |
| I/O ports | Series | 2 x RS-232 |
| | LAN | 2 x Ethernet |
| | HDD | 2 x SATA |
| | Audio | 3 (Mic-in, Line-out, Line-in) |
| | P/S 2 | 2 (1 x keyboard and 1 x mouse) |
| | USB | USB x 4 (USB x 1 pre-install tool) |
| Power | Power consumption | Under 570 watts (whole system) |
| | Power source | AC 100-240 V, Iniversal +/- 10% |
| | Power switch | Power switch/Remote Controller for turn on/off both IPC & Touch Monitor |
| Physical Condition | Dimension (mm) | 1348.2 (L) x 807.2 (H) x 150.2 (D) mm |
| | Weight | 63 KG |
| | Operation temp. | 0 ~ 45° C |
| | Operation humidity | 10 ~ 95% @ 40° C non-condensing |

Dimensions

Unit: mm



Ordering Information

| P/N | Description |
|------------|---|
| DSS-655-TE | 55" all in one signage display with Multi-Touch screen, Intel Core i5 CPU, 4G RAM, 160G HDD, Wes7 |
| DSS-655-XE | 55" all in one signage display without Touch, Intel Core i5 CPU, 4G RAM, 160G HDD, Wes7 |

Optional Modules

| P/N | Description |
|-------------------|---|
| UTC-P01-A0E | 2.M camera module for UTC-500 series |
| UTC-P02-A0E | Magnetic stripe reader For UTC-500 |
| UTC-P03-A0E | RFID reader for UTC-500 |
| UTC-P06-A0E | Smart card reader for UTC-500 |
| 1702002605 | Power cord 90D 220V EUROPEAN 250V/6A, 1.8M |
| 1702002600 | Power cord UL/CSA (USA) 180D 125V/10A 1.83M |
| 96RI-1U-PE16-MR | MEGA RAID RISER CARD 1U PCIE X16 (G) |
| XCHS-ENGT430-1GD3 | ASUS ENGT430/DI/1GD3 Display adapter |
| XCHS-42 STANDS | 42" & 55" 42 stands LCD Foot Rest |
| XCHS-MS-80L | 42" & 55" MS-80L LCD Wall Gallows |
| XCHS-TCSD-0700000 | Mobile LCD TV STAND DA-7000 |