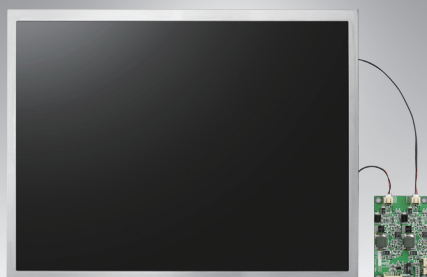


IDK-2110

10.4" 1,200 cd/m² Ultra High Brightness Industrial Display Kit with LED B/L

NEW



Features

- 10.4" LCD supports 800 x 600 pixels and wide operating temperature (-10 ~ 60° C)
- Ultra-high brightness of 1200cd/m² with LED backlight
- High contrast ratio of 900:1
- High uniformity of 85%
- Superior sunlight readability
- LVDS signal interface
- Low power consumption 8 W
- AR surface treatment (optional)
- Manually VR brightness control (optional)
- Auto-dimming solution with light sensor (optional)
- Optical bonding (optional)

Introduction

The Advantech IDK-2110 series comes with a 10.4" 1200 cd/m² industrial grade LCD display, and an LED driving board. The series is also available with flexible options for touch screens and enhanced treatment such as AR surface treatment and optical bonding solution. IDK-2110 series supports 1200 cd/m² high brightness with low power consumption at the maximum consumption of 8W. Equipped with high level of brightness and wide operating temperature, IDK-2110 provides superior sunlight readability and is perfect for applications whether in semi-outdoor or outdoor environments.

Specifications

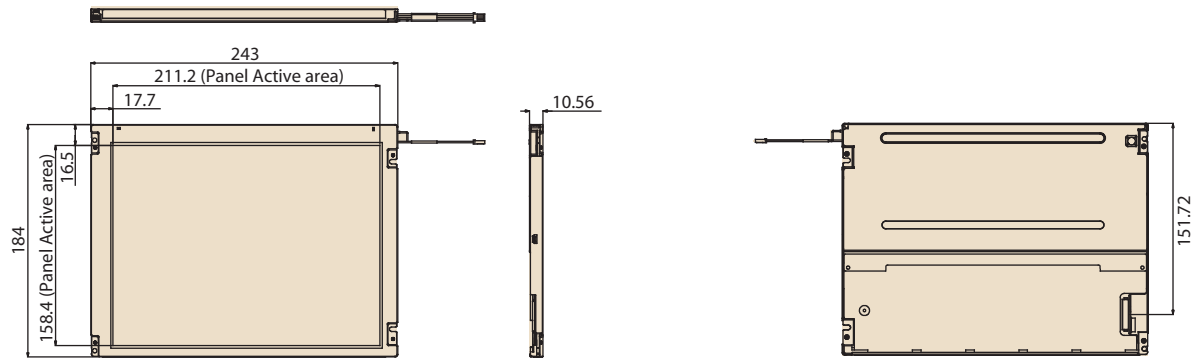
LCD Panel	Display Size	10.4" LED backlight panel
	Resolution	800 x 600
	Viewing Angle (U/D/L/R)	55° / 65° / 70° / 70°
	Brightness	1200 cd/m ²
	Contrast Ratio	900 : 1
	Response Time (ms)	30 ms
	Colors	16.7 M
	Voltage	3.3 V
	Power Consumption	8 W
	Signal Interface	1 channel LVDS
	Weight	500 g (N series)
Dimensions (W x H x D)	N series: 243.0 x 184.0 x 11.6 mm R series: 243.0 x 184.0 x 12.66 mm	
LED Driver Board	Efficiency	85%
	Output Current & Voltage	400 mA / 18 V
	LED Driver Board	70 x 16 x 5 mm
Touch Screen (R series)	Touch Screen	4-Wire Resistive
	Light Transmission	82%
	Durability	1 million times
Environment	Operating Temperature	-10 ~ 60° C
	Storage Temperature	-30 ~ 85° C
	Humidity	5 ~ 95% @ 40° C, non-condensing

Dimensions

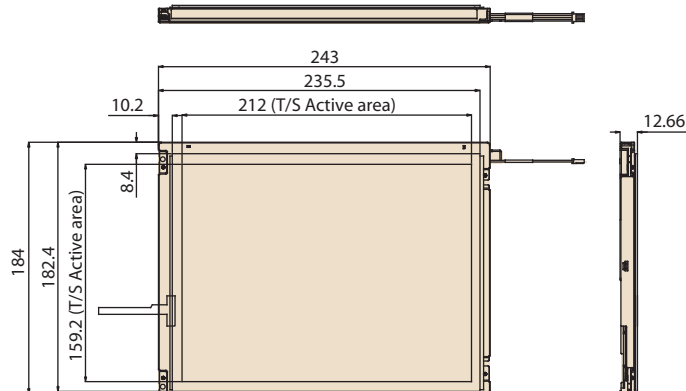
Unit: mm

IDK-2110N Series

Back Side



IDK-2110R Series



Ordering Information

Part No.	Size	Brightness (cd/m ²)	Interface	Touch screen	Touch Interface
IDK-2110N-K2SVA1E	10.4"	1200	LVDS	N/A	N/A
IDK-2110R-K2SVA1E	10.4"	1200	LVDS	4-Wire Resistive	RS-232/USB

IDK Naming Rule

IDK - 2 1 21 W R - K2 FH A1E

