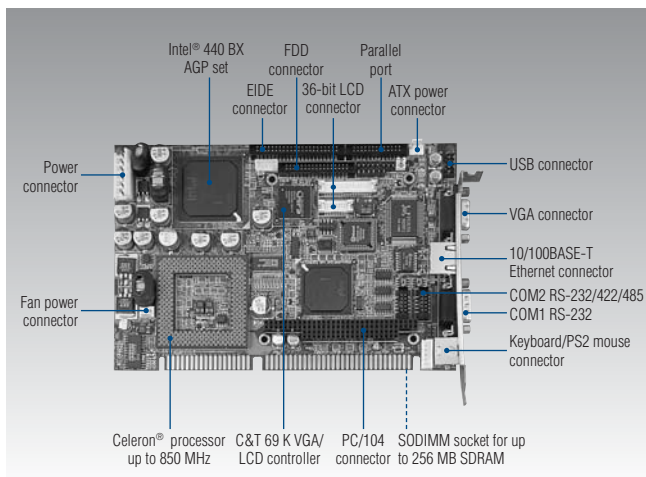


PCA-6770

ISA Socket 370 440BX Slot SBC, VGA/LCD/
Fast Ethernet/CFC



Features

- Supports Socket 370 Celeron®/Pentium® III processor up to 850 MHz
- Support up to 100MHz FSB
- USB interface compliant with USB rev. 1.1
- Supports Fast Infrared
- System overheat temperature control
- Supports wake-up on LAN, modem



Specifications

- **CPU** Socket 370 Celeron®/Pentium® III up to 850MHz
- **System Memory** SDRAM SODIMM x 2, Max. 512 MB
- **2nd Cache Memory** 128KB on Celeron® processor, 256KB on Pentium® III
- **System Chipset** Intel® 440BX
- **BIOS** AWARD 256KB Flash BIOS
- **SSD** Support CompactFlash™ Card
- **Watchdog Timer** 1 ~ 62 Sec, System reset or IRQ11
- **Expansion Interface** 1x 16-bit ISA slot, 1x PC/104 connector
- **Battery** Lithium 3V/196 mAh

I/O

- **MIO** 1 x EIDE (Ultra DMA33), 1 x FDD, 1 x K/B, 1 x Mouse, 1 x RS-232/422/485, 1 x RS-232, 1 x LPT
- **IrDA** 115Kbps SIR, IrDA 1.0 compliant
- **Ethernet** 10/ 100 BASE-T, on-board RJ45 connector
- **USB** 2 USB port, USB 1.1 compliant

Ethernet

- **Chipset** RealTek™ RTL 8139 chip
- **Ethernet Interface** IEEE 802.3
- **Connection** on-board RJ-45
- **I/O address switchless setting**

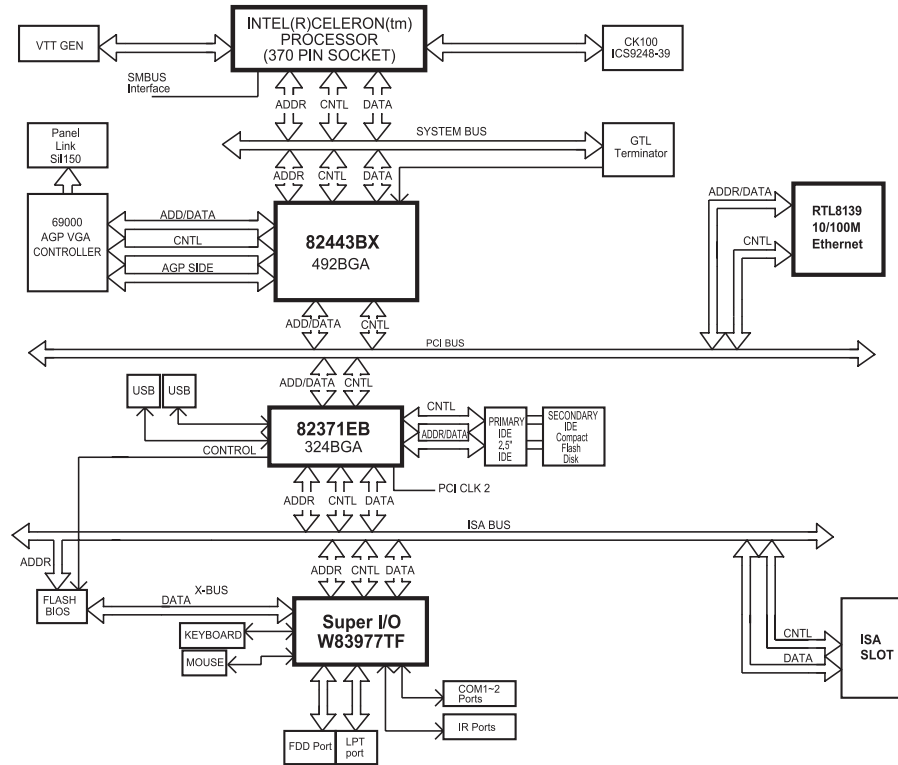
Display

- **Chipset** Asilant (C&T) 69000
- **Memory Size** 2 MB
- **Resolution** 1280 x 1024 @ 8 bpp, 1024 x 768 @ 16 bpp, 800 x 600 @ 24 bpp
- **LCD interface** Up to 36-bit TTL for Mono/STN/TFT LCD

Mechanical and Environmental

- **Dimensions (L x W)** 185 x 122 mm (7.3" x 4.8")
- **Power Supply Voltage** +5 V ± 5%, +12 V ± 5% (for FAN)
- **Power Requirements** Max : 5 V @ 6.5 A, 12 V @ 300 mA
Typical : 5 V @ 4.9 A (w/Celeron® 466 + 128 MB RAM)
- **Operating Temperature** 0~60° C (32~140° F), operation
- **Operating Humidity** 0%~90% relative humidity, non-condensing

Board Diagram



- 1 System on Module Solutions
- 2 Single Board Computers and Accessories
- 3 PC/104 Modules
- 4 Slot CPU Cards and Accessories
- 5 AIMB/POS Control Boards
- 6 Internet Security Platforms
- 7 Embedded Software
- 8 Appx

Packing List

- PCA- 6770 SBC
- Y cable for PS/2 Keyboard, PS/2 Mouse (p/n:1700060202)
- E-IDE (HDD) Cable (500 mm) (p/n:1701440500)
- FDD Cable (600 mm) (p/n:1701340603)
- Parallel port cable (p/n:1700260250)
- Com port cable (p/n:1700100250)
- ATX/AT power Connector (p/n:1700000450)
- Mini Jumper (p/n:1653300100)
- CPU cooling fan (p/n:1759200310)
- Startup manual
- Utility CD

Ordering Information

- PCA-6770F-00B2 ISA Socket 370 440BX Slot SBC, VGA/LCD/LAN/CFC

Optional accessories

- MBPC-641 4-slot IPC chassis w/backplane & 65W power supply
- IPC-644-80 4-slot IPC chassis w/backplane& 80W power supply
- IPC-6806S 6-slot IPC chassis w/backplane & 100W power supply
- PCA-6114-B 14-slot ISA passive backplane
- PCA-6108-0B1 8-slot ISA passive backplane
- PCA-6106-B 6 slot ISA passive backplane
- PCA-6104-0C1 4-slot ISA passive backplane
- P-MPP3850BITLH2 Intel® Pentium® III 850MHz (100MHz FSB, FC-PGA)
- 1700100170 USB cable adapter (2.54 mm)
- 9689000042 IrDA adapter
- CF-HDD-ADP CompactFlash™ 50-pin to IDE 44-pin adapter
- 1759210300 Low profile fan/Heatsink module